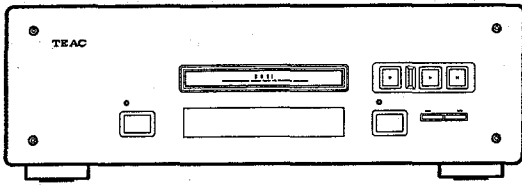


TEAC



SERVICE MANUAL

VRDS-T1

CD TRANSPORT

COMPACT
disc
DIGITAL AUDIO

CONTENTS

目次

1 SAFETY INFORMATION.....	2
2 SPECIFICATIONS.....	3
仕 様	
3 CASE AND FRONT PANEL REMOVAL.....	4
外装部品の外し方	
4 ADJUSTMENT AND CHECKS.....	5
調整と確認	
5 EXPLODED VIEWS AND PARTS LIST.....	8
分解図とパーツリスト	
6 PC BOARDS AND PARTS LIST.....	14
基板図とパーツリスト	
7 IC BLOCK DIAGRAMS.....	18
ICブロックダイヤグラム	

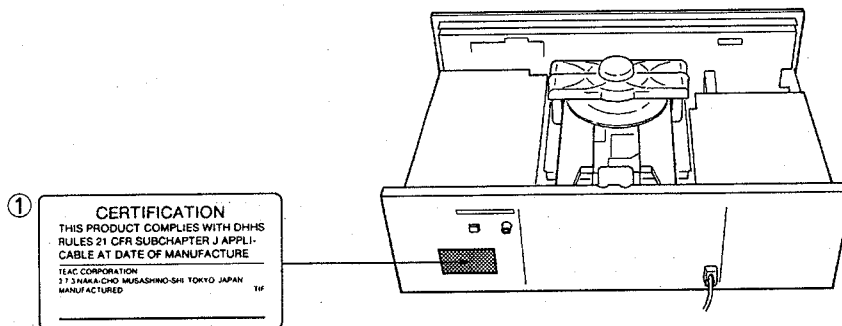
1 SAFETY INFORMATION

SAFETY INFORMATION

This product has been designed and manufactured according to FDA regulations "title 21, CFR, chapter 1, subchapter J, based on the Radiation Control for Health and Safety Act of 1968", and is classified as class 1 laser product. There is not hazardous invisible laser radiation during operation because invisible laser radiation emitted inside of this product is completely confined in the protective housings. The label required in this regulation is shown ①.

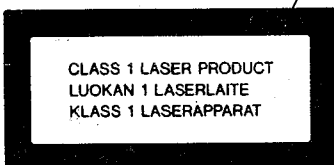
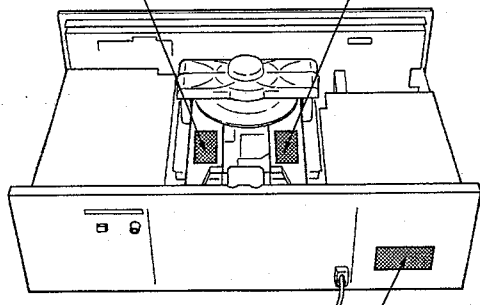
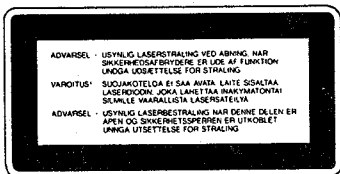
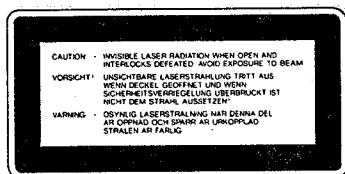
CAUTION

- If you remove the above-mentioned housings under the operating state of the product, there is a possibility of human access to the invisible laser radiation emitted from the optical pickup.
- Pay careful attention, not to let the invisible laser beam enter into your eyes.
- If you find a troubled state of the laser diode, change to the specified new optical pickup.
- If you find a troubled state of safety interlock parts, change to the same type parts described in parts list.



Optical pickup: Type : KSS-240A
 Manufacturer : SONY Corporation
 Laser output : Less than 0.2 mW on the objective lens
 Wavelength : 760 - 800 nm

• CAUTION • ACHTUNG • OBSERVERA • ADVARSEL



① THIS LABEL IS ATTACHED TO THE PLACE AS ILLUSTRATED TO INFORM THAT THE APPARATUS CONTAINS A LASER COMPONENT.

① DIESE AUFKLEBEMARKE IST AN DEM IN DER ABBILDUNG GEZEIGTEN ORT ANGEBRACHT UM DARAUF HINZUWEISEN, DASS IM INNERN DES GERÄTS EINE LASER-KOMPONENTE BEFINDET.

① PÅSKRIFTEN SITTER PÅ APPARATEN SOM VISAS SOM UPPMANING OM ATT APPARATEN OMFATTAR EN INBYGGD LASERKOMPONENT.

① DETTE MÆRKAT ER ANBRAGT SOM VIST I ILLUSTRATIONEN FOR AT ADVARE BRUGEREN OM AT APPARATET INDEHOLDER EN LASERKOMPONENT.

② DETTE MÆRKAT ER SOM VIST PÅ ILLUSTRATIONEN ANBRAGT PÅ INDERSIDEN AF TOPDÆKSLET FOR AT ADVARE BRUGEREN OM AT YDERLIGERE FREMTRÆNGEN VIL VÆRE FORBUNDET MED FARE FOR AT UDSÆTTE SIG FOR LASERSTRÅLING.

ADVARSEL - BETJENING AF ANDRE KONTROLLER OG REGULATORER ELLER BENYTTELSE AF ANDRE FREMGANGSMÅDER END BESKREVET HERI ER FORBUNDET MED FARE FOR UDSÆTTELSE FOR LASERSTRÅLING.

VARNING: APPARATEN INNEHÅLLER LASER KOMPONENT MED STRÅLNING ÖVERSTIGANDE KLASSE 1

"ADVARSEL: USYNLIG LASERSTRÅLING VED ÅBNING NÅR SIKKERHEDSÅFBRYDERE ER UDE AF FUNKTION. UNDGÅ UDSÆTTELSE FOR STRÅLING."

"VAROITUS! SUOJAKOTELOA EI SAA AVATA, LAITE SISÄLTÄÄ LASERDIODIN, JOKA LÄHETTÄÄ (NÄKYMÄTÖNTÄ) SILMILLE VAARALLISTA LASERSÄTEILYÄ."

ADVARSEL: USYNLIG LASERBESTRÅLING NÅR DENNE DELEN ER ÅPEN OG SIKKERHETSSPERREN ER UTKOBLET. UNNGÅ UTSETTELSE FOR STRÅLING.

2 SPECIFICATIONS

仕様

AUDIO

Digital Output

0.5Vp-p/75 Ω (Coaxial)
-15dBm -- 21dBm (Optical)

〈オーディオ〉

デジタル出力

0.5Vp-p/75 Ω (COAXIAL)
-15~-21dBm (OPTICAL)

PICK UP

Type

Optical 3-Beam laser pickup

Objective Lens

2-dimensional parallel drive

Laser Type

GaAlAs type semiconductor laser

Wave Length

780nm

〈ピックアップ〉

方式

対物レンズ駆動、光学式3ビーム

対物レンズ駆動方式

2次元平行駆動

光源

半導体レーザー

波長

780nm

SIGNAL FORMAT

Sampling Frequency 44.1kHz

Quantization Bit 16-bit linear/channel

Channel Bit Rate 4.3218Mb/sec

Channel Modulation Code

EFM (Eight to Fourteen Modulation)

Error Correction

CIRC (Cross Interleave Reed Solomon Code)

〈信号フォーマット〉

標準化周波数

44.1kHz

量子化ビット数

16ビット・リニア/チャンネル

伝送レート

4.3218Mb/sec

変調方式

EFM

エラー訂正方式

CIRC

〈一般〉

電源

100V AC 50-60Hz

消費電力

11W

外形寸法

442 × 149 × 331mm (W × H × D)

重量

9kg

GENERAL

Power Requirements

120/230V AC, 50-60Hz (U.S.A./
Canada/General Export Model)
230V AC, 50Hz (Europe Model)
240V AC, 50Hz (U.K. Model)

Power Consumption

11 watts

Dimensions (W × H × D)

442 × 149 × 331mm
(17-3/8" × 5-7/8" × 13-1/16")

Weight (net)

9kg (19-13/16 lbs)

Standard Accessories

Wireless Remote Control Unit
RC-539 (VRDS-T1N)
RC-540 (VRDS-T1B)
Battery (SUM-3, "AA", "R6" type)
× 2

付属品

- ワイヤレスリモコン RC-539 (VRDS-T1N)
RC-540 (VRDS-T1B)
- 乾電池(単3、SUM-3) × 2
- 取扱説明書

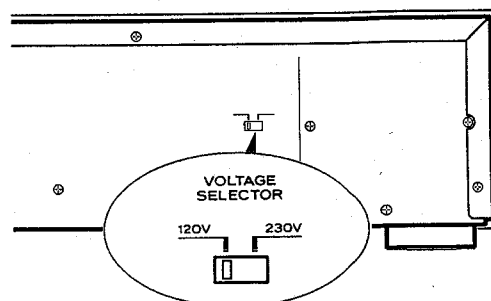
*仕様および外観は、改善のため予告なく変更することがあります。

- Improvements may result in specification or feature changes without notice.

VOLTAGE CONVERSION

Be sure to remove the power cord from the AC outlet before repositioning the voltage converter switch.

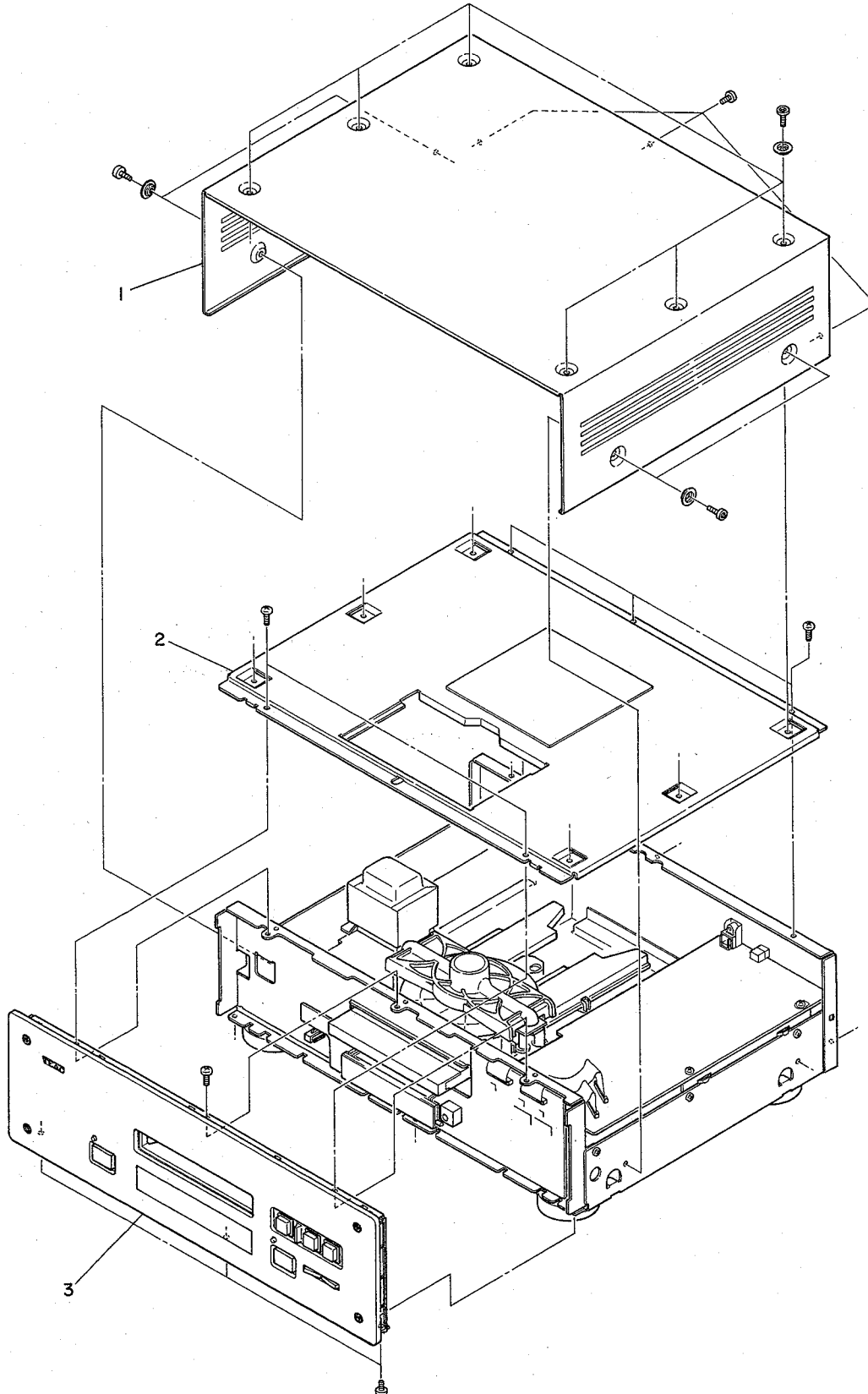
1. Locate the voltage selector on the rear panel.
2. Using a flat-bladed screwdriver, set to the appropriate 230 V or 120 V position according to your area.



3 CASE AND FRONT PANEL REMOVAL

外装部品の外し方

Disassemble in number-order
番号順に外してください



4 ADJUSTMENT AND CHECKS

調整と確認

4-1 Handling the pickup assembly

● Before servicing the pickup assembly be sure to prevent electrostatic-inducer destruction by grounding not only test equipment in use but also yourself as shown in Fig. 4-1.

* Electrostatic charge drastically shortens the operating life of the laser diode or possibly results in its destruction.

- During the transportation, mounting and dismounting of the assembly, support with your fingers at points A and B as shown in Fig. 4-2. Be particularly careful not to touch the actuator, photosensor and LD plate and do not apply force to them.
- Don't disassemble the pickup ass'y.
- Don't apply shock to the pickup ass'y.
- Don't place the assembly in a place subject to excessive dust, heat or moisture.

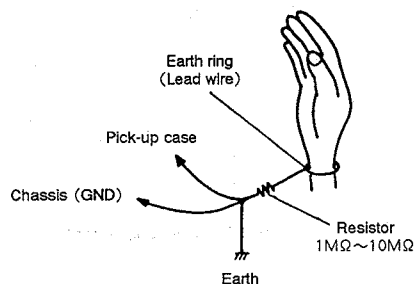


Fig. 4-1

4-2 Objective

- Laser beams are similar to infrared rays. Don't look at the beams directly and keep your eyes at least 30cm away from them.
- Don't touch the objective with fingers.
- If objective becomes dirty, playback will deteriorate. To clean the objective, moisten a good cleaning tissue, such as made by KODAK, in isopropyl alcohol and wipe the objective gently. Wipe off and excess fluid with a dry cleaning tissue.

4-3 SERVO ADJUSTMENT

TEST DISC: MCD-111 or YEDS-18

4-3-1 Checking the pickup actuator operation

Before loading the disc, turn the power ON and check that the pickup actuator moves up and down six times. (If the pickup is not at inside on the disc, perform the above operation after moving the pickup to the inside.)

4-1 ピックアップ ASSY の取扱

● ピックアップ ASSY を取り扱う場合は、測定器などに確実なアースを取ると共に、人体アースを行ない、静電破壊を十分防止してください。(Fig. 4-1)

* レーザーダイオードは、静電気が加わると寿命が著しく低下したり、または破損しますので十分注意してください。

- 取り付け、取り外し、持ち運びの際は、Fig. 4-2 の A 部と B 部で支えてください。特にアクチュエーター、光検出部、LD プレート部は、手を触れたり力を加えたりしないでください。
- ピックアップ ASSY 本体の調整および分解などはしないでください。
- ピックアップ ASSY に落下・衝撃は加えないでください。
- ゴミ・ホコリなどの発生する場所、高温・多湿の場所は避けてください。

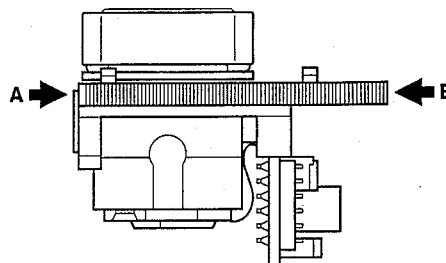


Fig. 4-2

4-2 対物レンズについて

- レーザー光は近赤外線の為目視は困難です。目の安全の為、目をレンズから 30cm 以上離してください。
- レンズには手を触れないでください。
- レンズに汚れが付くと再生能力が低下しますので、次のように清掃してください。
レンズクリーニングペーパー (KODAK 社製など) に、イソプロピルアルコール (I.P.A) を浸して清掃をし、液が残らないように必ず拭きとってください。

4-3 サーボ調整

テストディスク: MCD-111 または YEDS-18

4-3-1 ピックアップアクチュエーター動作チェック

電源 ON 時ピックアップアクチュエーターが 6 回 (ディスクトレイ開閉時は 3 回) 上下動すること。(ピックアップが最内周にないときは、最内周に移動後上記動作すること。) ディスクは装着しない。

4-3-2 Clock frequency adjustment

1. Connect the frequency counter to P411 on SERVO PCB.
2. Adjust C55 so that the clock frequency is 16.9344MHz \pm 25ppm at the stop mode.

4-3-2 クロック周波数調整

1. SERVO PCBのP411に周波数カウンターを接続する。
2. 停止状態での周波数が16.9344MHz \pm 25ppmになるようにC55を調整する。

4-3-3 Focus gain adjustment

1. Apply 1.07kHz/10Vp-p (When using MCD-111) or 1.05kHz/10Vp-p (When using YEDS-18) to TP1 pin 1 (FE2) from an external OSC via 100k Ω resistor.
2. Play the track 4, and adjust V402 (F.GAIN) so that phase at TP1 pin 2 (FE1) is 90° with respect to that of the external OSC.

4-3-3 フォーカスゲイン調整

1. 外部OSCより100k Ω の抵抗を介して1.07kHz/10Vp-p (MCD-111にて調整時)または1.05kHz/10Vp-p (YEDS-18にて調整時)の信号をTP1の1番ピン(FE2)に入力する。
2. 4曲目を再生し、TP1の2番ピン(FE1)と外部OSCとの位相が90°になるようにV402(F.GAIN)を調整する。

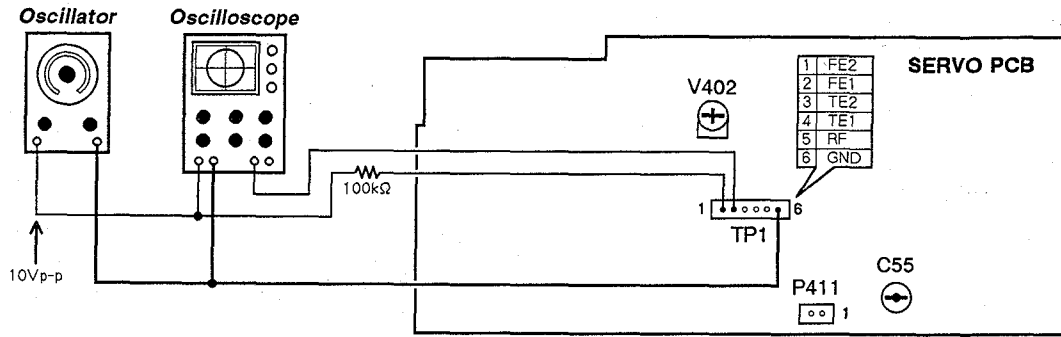


Fig. 4-3

4-3-4 Tracking gain adjustment

1. Apply 1.30kHz/10Vp-p (When using MCD-111) or 1.09kHz/10Vp-p (When using YEDS-18) to TP1 pin 3 (TE2) from an external OSC via 100k Ω resistor.
2. Play the track 4, and adjust V401 (T.GAIN) so that phase at TP1 pin 4 (TE1) is 90° with respect to that of the external OSC.

4-3-4 トラッキングゲイン調整

1. 外部OSCより100k Ω の抵抗を介して1.30kHz/10Vp-p (MCD-111にて調整時)または1.09kHz/10Vp-p (YEDS-18にて調整時)の信号をTP1の3番ピン(TE2)に入力する。
2. 4曲目を再生し、TP1の4番ピン(TE1)と外部OSCとの位相が90°になるようにV401(T.GAIN)を調整する。

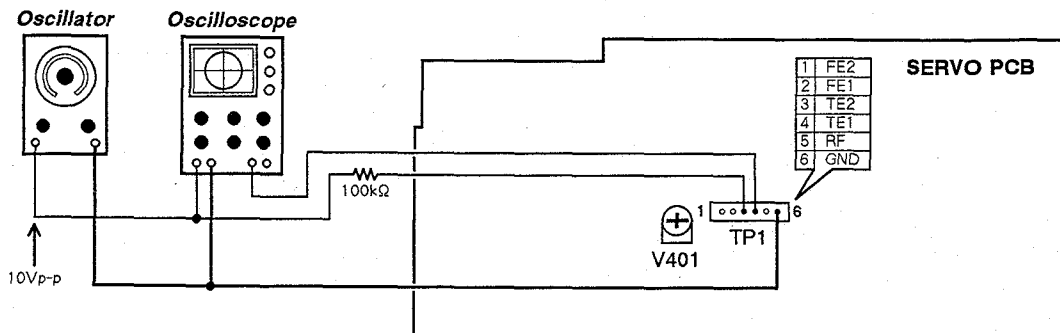


Fig. 4-4

PARTS LIST SECTION

NOTES

- PC boards shown are viewed from parts side.
- Parts marked with * require longer delivery time.
- The parts with no reference number or no parts number in the exploded views are not supplied.
- As regards the resistors and capacitors, refer to the circuit diagrams contained in this manual.
- △ Parts marked with this sign are safety critical components. They must be replaced with identical components - refer to the appropriate parts list and ensure exact replacement.
- Parts of [] mark can be used only with the version designated.
[J]: JAPAN [US]: U. S. A. [C]: CANADA [GE]: GENERAL EXPORT
[E]: EUROPE [UK]: U. K.
VRDS-T1 (N): Gold Version VRDS-T1 (B): Black Version

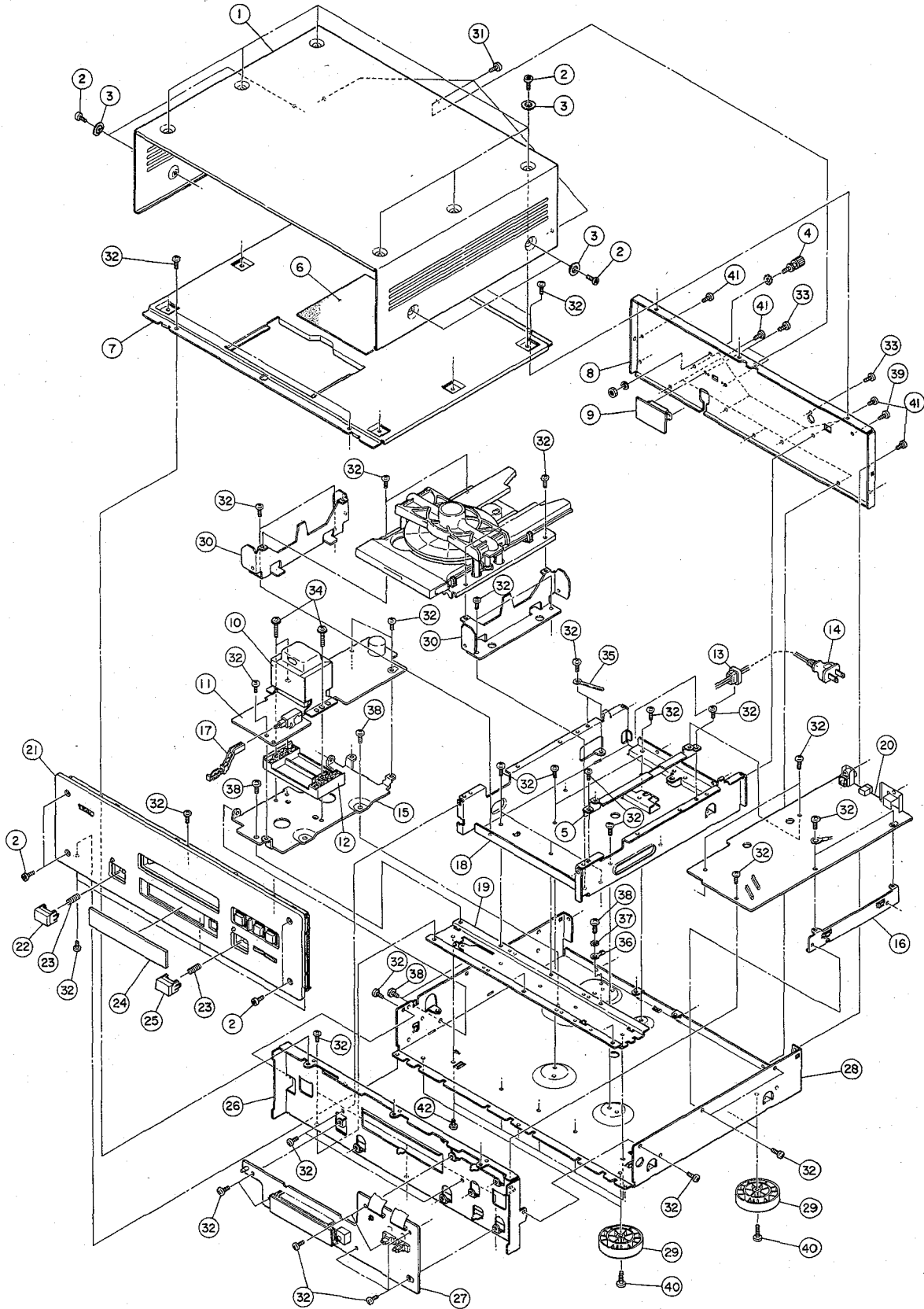
注意

- プリント基板図は部品面が示されています。
- *印の部品は納期が若干かかります。
あらかじめご了承ください。
- 分解図に部番のない部品及び品番のない部品は供給しません。
- 標準の抵抗、コンデンサーは省略してあります。
回路図を参照してください。
- △印は安全重要部品です。
交換する時は必ずティアック指定の部品を使用してください。
- 仕向先
[J]: JAPAN [US]: U. S. A. [C]: CANADA [GE]: GENERAL EXPORT
[E]: EUROPE [UK]: U. K.
VRDS-T1 (N): Gold Version VRDS-T1 (B): Black Version

5 EXPLODED VIEWS AND PARTS LIST

分解図とパーツリスト

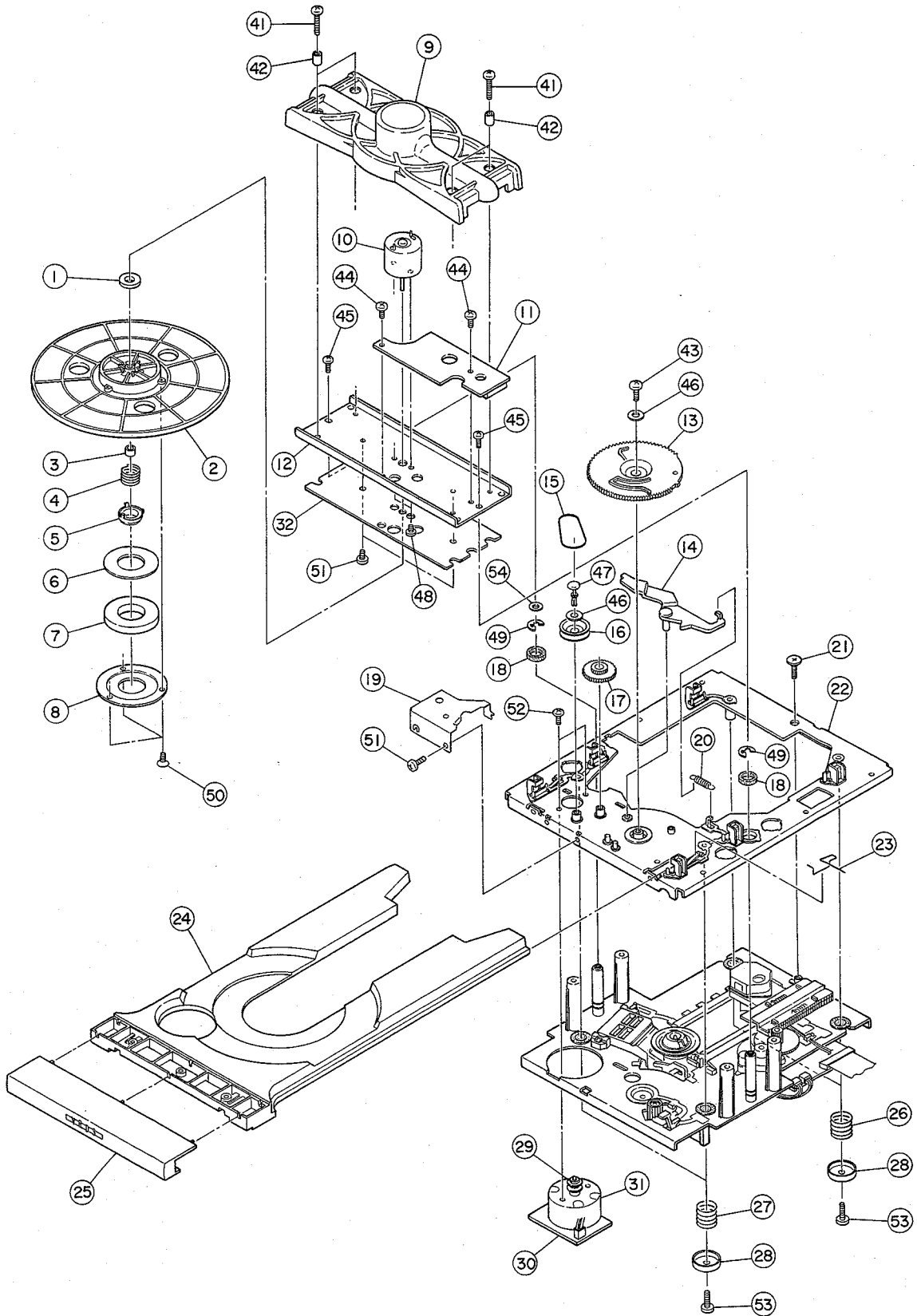
EXPLODED VIEW-1



EXPLODED VIEW-1

REF. NO.	PARTS NO.	DESCRIPTION	REMARKS
1- 1	*5801572300	BONNET (7) [J, GE]	VRDS-T1 (N)
	*5801572500	BONNET (7-B) [US, C, GE, E, UK]	VRDS-T1 (B)
1- 2	*5801532500	BOLT, HEXAGON SOCKET B [J, GE]	VRDS-T1 (N)
	*5801539500	BOLT, HEXAGON SOCKET B (BLK) [US, C, GE, E, UK]	VRDS-T1 (B)
1- 3	*5801532900	COLLAR	
1- 4	5332031900	EARTH TERMINAL	
1- 5	*5801572100	CENTER CHASSIS ANGLE (R)	
1- 6	*5801598300	RUBBER SHEET, 125X125 0.5T	
1- 7	*5801533202	TOP CHASSIS	
1- 8	*M00006700A	REAR PANEL (CU) [J, E, UK]	
	*M00006800A	REAR PANEL (CU) [US, C, GE]	
1- 9	*E95001000A	VOLTAGE SEL PCB ASSY [US, C, GE]	
1-10	△ 5320063300	POWER TRANSFORMER	
1-11	*E95000900A	POWER PCB ASSY [J]	
	*E95000903A	POWER PCB ASSY [US, C, GE]	
	*E95000904A	POWER PCB ASSY [E]	
	*E95000905A	POWER PCB ASSY [UK]	
1-12	*5801406000	TRANS BASE	
1-13	△ 5317005600	BUSHING, 2272 [EXCEPT GE]	
	△ 5317003400	BUSHING, 2271 [GE]	
1-14	△ 5350018400	AC CORD [J]	
	△ 5350019100	AC CORD, CSA 3-WIRE [US, C, GE]	
	△ 5350019300	AC CORD, UL SPT-2 [GE]	
	△ 5128089000	AC CORD, CLASS 1 [E]	
	△ 5350019000	AC CORD, BS 3-WIRE [UK]	
1-15	*M00007000A	POWER PCB BRACKET	
1-16	*5801531900	PCB ANGLE	
1-17	*M00006900A	POWER SW ROD	
1-18	*5801532001	CENTER CHASSIS	
1-19	*5801531601	CHASSIS ANGLE (B)	
1-20	*E95000200A	SERVO PCB ASSY	
1-21	*M00007700A	FRONT PANEL ASSY [J, GE]	VRDS-T1 (N)
	*M00007701A	FRONT PANEL ASSY (B) [US, C, GE, E, UK]	VRDS-T1 (B)
1-21-a	5801530500	CAP ESCUTCHEON	
1-21-b	5801530801	BUTTON CAP (ST)	
1-21-c	5801530601	BUTTON CAP (PL)	
1-21-d	5801530701	BUTTON CAP (PA)	
1-22	5801531001	BUTTON CAP (P) ASSY [J, GE]	VRDS-T1 (N)
	5801539601	BUTTON CAP (P) BLK ASSY [US, C, GE, E, UK]	VRDS-T1 (B)
1-23	5801070200	POWER SPRING	
1-24	*5801532700	FL COVER	
1-25	5801531101	BUTTON CAP (O/C) ASSY [J, GE]	VRDS-T1 (N)
	5801539701	BUTTON CAP (O/C) BLK ASSY [US, C, GE, E, UK]	VRDS-T1 (B)
1-26	*5801532200	FRONT CHASSIS	
1-27	*E95000300A	KEY PCB ASSY	
1-28	*5801511501	MAIN CHASSIS (CU)	
1-29	5801414900	FOOT ASSY	
1-30	*5801571900	MECHA. BASE	
1-31	*5783813006	SCREW, BIND S-TITE M3X6 (ZN BL)	
1-32	*5783033006	SCREW, BIND S-TITE M3X6	
1-33	*5783543008	SCREW, BIND P-TITE M3X8 (NI BLK)	
1-34	*5783244020	SCREW, BIND S-TITE SEMS-F M4X20	
1-35	*5786713000	HARNESS CLIP	
1-36	*5786700600	EARTH LUG [US, C, GE, E, UK]	
1-37	*5785124000	WASHER, TOOTHED LOCK [US, C, GE, E, UK]	
1-38	*5783034006	SCREW, BIND S-TITE M4X6	
1-39	*5780023006	SCREW, BIND M3X6 (NI BLK)	
1-40	*5783034020	SCREW, BIND S-TITE M4X20	
1-41	*5783693006	SCREW, BIND S-TITE M3X6 (NI BLK)	
1-42	*5783783006	SCREW, BIND B-TITE M3X6 (CU)	

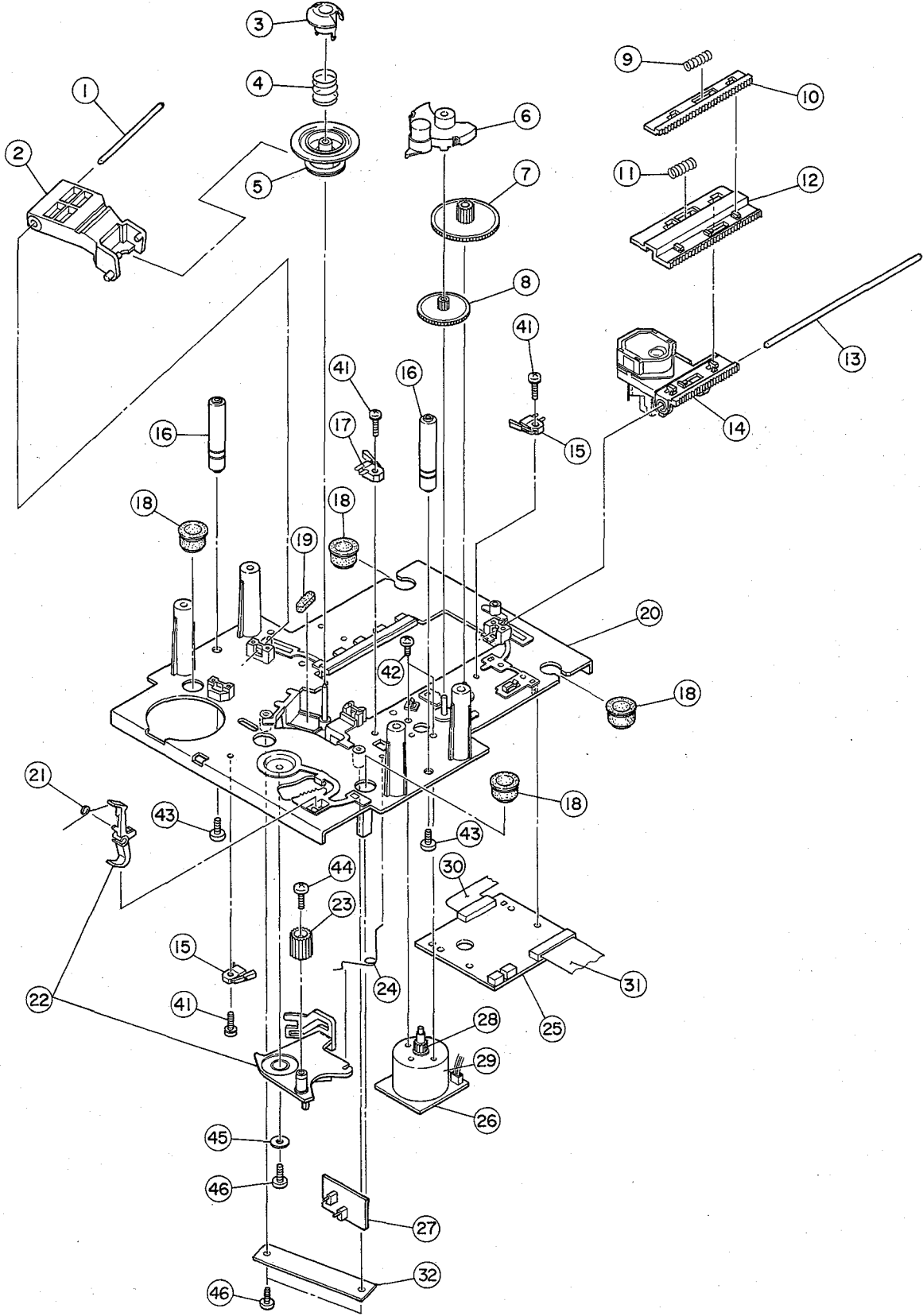
EXPLODED VIEW-2



EXPLODED VIEW-2

REF. NO.	PARTS NO.	DESCRIPTION	REMARKS
2- 1	5730033400	MAGNET	
2- 2	M00068300A	TURN TABLE (GRN)	
2- 3	*5801598600	BUSH, 4X2. 5	
2- 4	*5801600600	SPRING	
2- 5	*5801599801	CENTER RING	
2- 6	*5801569800	MAGNET YOKE	
2- 7	5801493500	MAGNET	
2- 8	5801057200	MAGNET HOLDER	
2- 9	*5801570000	MOTOR COVER	
2-10	5370008800	DC MOTOR, RF-310T	
2-11	*E95000500A	DIRECTION PCB ASSY	
2-12	*5801569900	MOTOR BRACKET	
2-13	5801570900	MAIN GEAR	
2-14	*5801570800	T-LEVER	
2-15	5801571500	LOADING BELT	
2-16	5801571000	PULLEY GEAR	
2-17	5801571100	2-STEP GEAR	
2-18	*5801597500	RING CUSHION T3	
2-19	*5801571400	GEAR COVER	
2-20	*5801392100	COIL SPRING (D)	
2-21	*5801276700	SCREW, STEP	
2-22	-----	MECHA. CHASSIS (B)	
2-23	*5801595301	SUPPORT SPRING	
2-24	5801629900	TRAY	
2-25	M00029800A	TRAY PANEL ASSY (G) [J, GE]	VRDS-T1 (N)
	M00029900A	TRAY PANEL ASSY (B) [US, C, GE, E, UK]	VRDS-T1 (B)
2-26	*5801480500	FLOATING SPG (A)	
2-27	*5801480600	FLOATING SPG (B)	
2-28	*5800846700	SPRING SUPPORT	
2-29	5800979201	MOTOR PULLY	
2-30	*E95000700A	TRAY MOTOR PCB ASSY	
2-31	5370009200	DC MOTOR, RF-500TB	
2-32	*M00008700A	MOTOR PLATE	
2-41	*5780023010	SCREW, BIND M3X10 (NI BLK)	
2-42	*5785604075	SPACER, 4. 0X7. 5MM	
2-43	*5783603008	SCREW, BIND P-TITE M3X8	
2-44	*5780023004	SCREW, BIND M3X4 (NI BLK)	
2-45	*5780002605	SCREW, BIND M2. 6X5	
2-46	*5785013000	WASHER, FLAT M3 (0. 5T)	
2-47	*5786610400	PUSH RIVET	
2-48	*5730044200	SCREW, PAN M2X3 (BLK)	
2-49	*5786004000	E-RING, E-4 (JIS)	
2-50	*5781212005	SCREW, FLAT TAPPING M2X5	
2-51	*5783033006	SCREW, BIND S-TITE M3X6	
2-52	*5780002603	SCREW, BIND M2. 6X3	
2-53	*5783603016	SCREW, BIND P-TITE M3X16	
2-54	*5785304100	WASHER, POLY 4. 1X6. 5X0. 25T	

EXPLODED VIEW-3



EXPLODED VIEW-3

REF. NO.	PARTS NO.	DESCRIPTION	REMARKS
3- 1	*5801575400	CLAMPER SHAFT	
3- 2	*5801569400	CLAMPER ARM	
3- 3	*5801569600	GUID RING	
3- 4	*5801575500	SPRING (C)	
3- 5	5801569500	CLAMPER	
3- 6	*5801569000	GEAR COVER	
3- 7	5801568700	GEAR (A)	
3- 8	5801568801	GEAR (B)	
3- 9	*5801570400	SPRING (B)	
3-10	5801569200	RACK (B)	
3-11	*5801570300	SPRING (A)	
3-12	5801569100	RACK (A)	
3-13	*5801570100	GUIDE SHAFT	
3-14	5347027100	LASER PICK UP	
3-15	5300060200	SW, PUSH	
3-16	*5801600900	MECHA. POST	
3-17	5301457000	SW, DETECT	
3-18	*5801480200	RUBBER BUSH	
3-19	*5801510700	POINT CUSHION	
3-20	*5801568602	MECHA. CHASSIS (A)	
3-21	*5801571700	ACT SP	
3-22	5801570703	2P ARM	
3-23	5801571200	PLANETARY GEAR	
3-24	5801571300	REVERSE SPRING	
3-25	*E95000400A	CHUKEI PCB ASSY	
3-26	*E95000800A	SLED MOTOR PCB ASSY	
3-27	*E95000600A	TRAY SW PCB ASSY	
3-28	5801568900	GEAR (C)	
3-29	5370011400	DC MOTOR	
3-30	*5355254200	FLEXIBLE WIRE, 12P	
3-31	*5355252800	FLAT CABLE, 16P	
3-32	*5801605200	STOPPER 2	
3-41	*5780132006	SCREW, PAN SEMS-A M2X6	
3-42	*5780022004	SCREW, BIND M2X4 (NI BLK)	
3-43	*5780002605	SCREW, BIND M2. 6X5	
3-44	*5783602608	SCREW, BIND P-TITE M2. 6X8	
3-45	*5785013000	WASHER, FLAT M3 (0. 5T)	
3-46	*5783603008	SCREW, BIND P-TITE M3X8	

6 PC BOARDS AND PARTS LIST

基板図とパーツリスト

KEY PCB ASSY

REF. NO.	PARTS NO.	DESCRIPTION
	*E95000300A	KEY PCB ASSY
	*E90000300A	KEY PCB
	5347009100	FL DISPLAY, FIP10YM8
	555590000	EARTH PLATE A
	*5801532100	FL GUIDE
	*5801180900	FL CUSHION
	*5801529700	LED HOLDER
	*5801158000	LED SPACER, L=6
D501, D502	5224012920	DIODE, 1S2473
D503, D504	5224017820	DIODE, MA165P-(TA5)
D505-D508	5225028000	LED, SLV-31DC3F (ORG)
D509, D510	5225028800	LED, SLR-34DC3F (ORG)
P501	5336299900	CONNECTOR SOCKET
P502	5336299800	CONNECTOR SOCKET
S501-D506	5302108600	SW, TACT
U501	5220812900	IC, UPD7566CS-085
U502	5292210300	REMOTE MODULE, SBX1610-52
U504-D508	5232255620	TR, DTC114ES
W501	5355243800	FLAT CABLE B, 19P
W502	5355243900	FLAT CABLE C, 18P
X501	5347006500	OSC, CERAMIC CSB700A

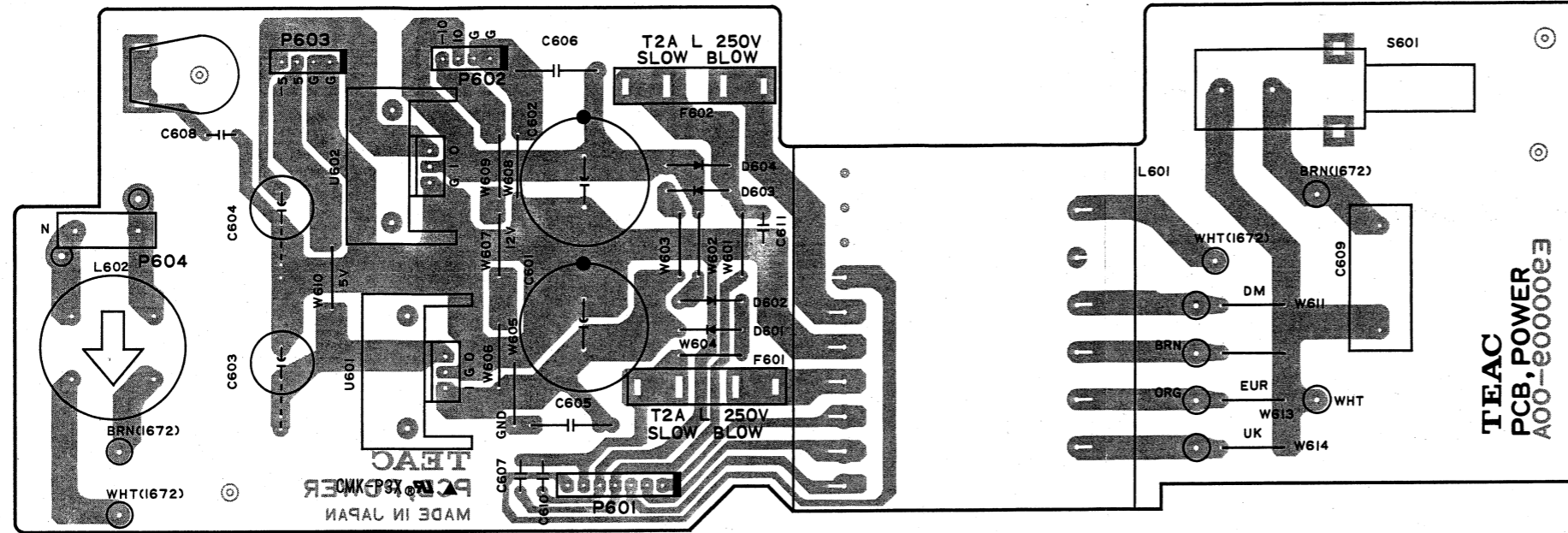
SERVO PCB ASSY

REF. NO.	PARTS NO.	DESCRIPTION
	*E95000200A	SERVO PCB ASSY
	*E90000200A	SERVO PCB
	*5801385900	EARTH PLATE
	555590000	EARTH PLATE A
	5730018100	COATING CLIP, CP-1S
	*5801587200	EARTH PLATE
	*5347026000	SHIELD SHEET (CU) 55X15
	*5347027200	SHIELD SHEET (CU) 10X30
	*5347026700	SHIELD SHEET (CU) 10X32
C55	5267207000	C, TRIMMER VCT51F 30P
D11 -D13	5224017820	DIODE, MA165P-(TA5)
D2	5224019320	DIODE, SK09F02 80NS3A
D401, D402	5224012920	DIODE, 1S2473
L51	14727479	INDUCTOR FERRITE BEADS

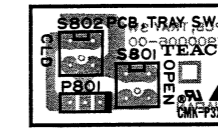
SERVO PCB ASSY

REF. NO.	PARTS NO.	DESCRIPTION
L52	5286033820	COIL, CHOKE 8.2UH
L53	5286032920	COIL, CHOKE 1.5UH
P401	5336296600	CONNECTOR SOCKET
P403	5336303600	CONNECTOR PLUG, 6P (WHT)
P404	5336303200	CONNECTOR PLUG, 2P (WHT)
P405	5336309200	CONNECTOR PLUG, 2P (BLK)
P406	5336303300	CONNECTOR PLUG, 3P (WHT)
P407	5336305200	CONNECTOR PLUG, 2P (RED)
P408	5336296800	CONNECTOR SOCKET
P409	5336296900	CONNECTOR SOCKET
P410	5336303700	CONNECTOR PLUG, 7P (WHT)
P411	5336249200	CONNECTOR PLUG, 2P (WHT)
P413	5330512700	PIN JACK, 1P
P416	5336305400	CONNECTOR PLUG, 4P (RED)
P417	5336303400	CONNECTOR PLUG, 4P (WHT)
Q1	5230509100	TR, 2SB562 C
Q11	5230781120	TR, 2SC1740SLN
Q403	5231756200	TR, 2SD882 Q-P
Q404	5230508900	TR, 2SB772P
TP1	13150492	CONNECTOR, 6P
TP2	13150488	CONNECTOR, 2P
TP3	5544750000	COMBINATION PIN
U11	5220040700	IC, UPD74HC04C
U402	5220447500	IC, CXA1372S
U403	5220099600	IC, CXD2500AQ
U404	5220442500	IC, LA6500
U405	5220447600	IC, TA8410AK
U407	5220440600	IC, NJM4565L
U410	5220430200	IC, LB1649
U491	5220835900	IC, UPD75212ACW-A79
U492	5232255620	TR, DTC114ES
U494	5220052000	IC, TC74HC32AP
U495	5232255620	TR, DTC114ES
U51	5220041200	IC, UPD74HC00C
U52	5220057500	IC, M74HC6004P
U53	5292209800	OPTICAL MODULE, GP1F31T
V401, V402	5280021500	VR, SEMI-FIXED 22KB
W202	5241622220	R, METAL MRS25 1.0K F
X491	5347017700	OSC, EFO-EC4194A4
X51	5347010900	OSC, CRYSTAL 16.9344M
Z1	5224592821	DIODE, ZENER RD 33ESB1
Z2	5224585621	DIODE, ZENER RD6.2ESB1
Z404	5224585321	DIODE, ZENER RD5.6ESB2
Z405	5224587221	DIODE, ZENER RD9.1ESB1
Z406	5224583521	DIODE, ZENER RD3.6ESB2

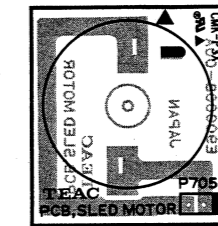
POWER PCB



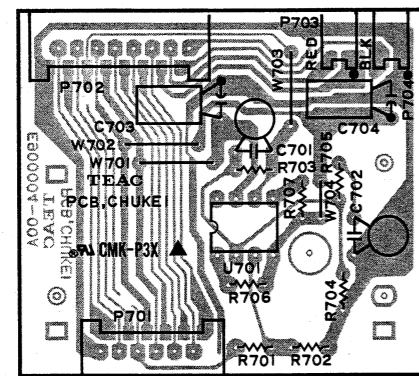
TRAY SW PCB



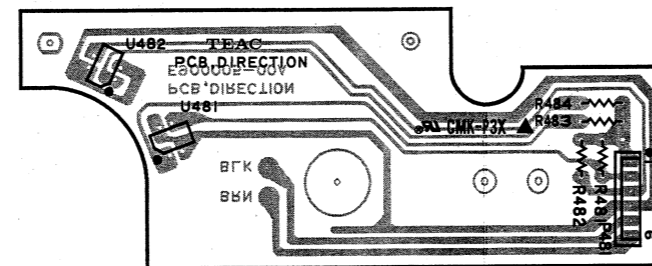
SLED MOTOR PCB



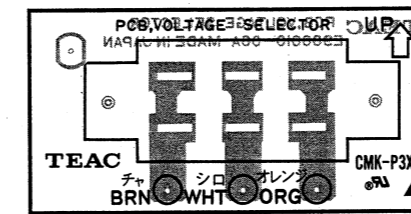
CHUKEI PCB



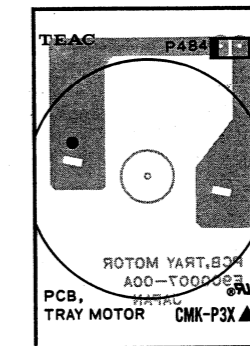
DIRECTION PCB



VOLTAGE SELECTOR PCB



TRAY MOTOR PCB



POWER PCB ASSY

REF. NO.	PARTS NO.	DESCRIPTION
	*E95000900A	POWER PCB ASSY [J]
	*E95000903A	POWER PCB ASSY [US, C, GE]
	*E95000904A	POWER PCB ASSY [E]
	*E95000905A	POWER PCB ASSY [UK]
	*E90000900A	POWER PCB
	5730039200	HEAT SINK
	5555590000	EARTH PLATE A
	5332015800	FUSE HOLDER
	*5347023000	SHIELD SHEET A (CU)
	*5783743008	SCREW, BIND S-TITE M3X8 (CU)
	5327007200	LAPPING TARMINAL, 2P [E]
C601, C602	△ C0000000	C, ELEC 4700UF 25V
C603, C604	5260485000	C, ELEC 1000UF 16V
C605, C606	△ 5263187500	C, METAL 0.1UF 200V K
C607	△ 5263166723	C, METAL 0.010UF 50V J
C609	△ 5267704100	SPARK KILLER 0.0047UF 250V
C610, C611	△ 5267028020	C, CERA 0.047UF 50V Z
D601-D604	△ 5224019320	DIODE, SK09F02 80NS3A
F601, F602	△ 5307050200	FUSE, 2A SLOW BLOW [J, US, C, GE]
F601, F602	△ 5307053100	FUSE, 2.0A TIME LAG [E, UK]
L602	△ 5292806300	NOISE FILTER
P601	E00000700A	HARNESS ASSY, PWR 7P
P602	E00000800A	HARNESS ASSY, PWR 4P (RED)
P603	E00000900A	HARNESS ASSY, PWR 4P (WHT)
S601	△ 5300054700	SW, PUSH SDDL1 1-1
U601	△ 13447943	IC, NJM78M05FA
U602	△ 13447961	IC, NJM79M05FA

CHUKEI PCB ASSY

REF. NO.	PARTS NO.	DESCRIPTION
	*E95000400A	CHUKEI PCB ASSY
	*E90000400A	CHUKEI PCB
P701	5336299200	CONNECTOR SOCKET
P702	5336299600	CONNECTOR SOCKET
P703	5336291200	CONNECTOR PLUG (RED)
P704	5336293200	CONNECTOR PLUG (BLK)
R706, R707	5241459820	R, METAL CRB20 4.7K F
U701	5220450000	IC, UPC813P

DIRECTION PCB ASSY

REF. NO.	PARTS NO.	DESCRIPTION
	*E95000500A	DIRECTION PCB ASSY
	*E90000500A	DIRECTION PCB
U481, U482	5228017700	PHOTO INTERRUPTER, GP2S24

VOLTAGE SELCTOR PCB ASSY

REF. NO.	PARTS NO.	DESCRIPTION
	*E95001000A	VOLTAGE SEL PCB ASSY [US, C, GE]
	*E90001000A	VOLTAGE SELCTOR PCB
	△ 5300918600	VOLTAGE SELECTOR, SDKGA4

TRAY SW PCB ASSY

REF. NO.	PARTS NO.	DESCRIPTION
	*E95000600A	TRAY SW PCB ASSY
	*E90000600A	TRAY SW PCB
S801, S802	5301654000	SW, PUSH

SLED MOTOR PCB ASSY

REF. NO.	PARTS NO.	DESCRIPTION
	*E95000800A	SLED MOTOR PCB ASSY
	*E90000800A	SLED MOTOR PCB

TRAY MOTOR PCB ASSY

REF. NO.	PARTS NO.	DESCRIPTION
	*E95000700A	TRAY MOTOR PCB ASSY
	*E90000700A	TRAY MOTOR PCB

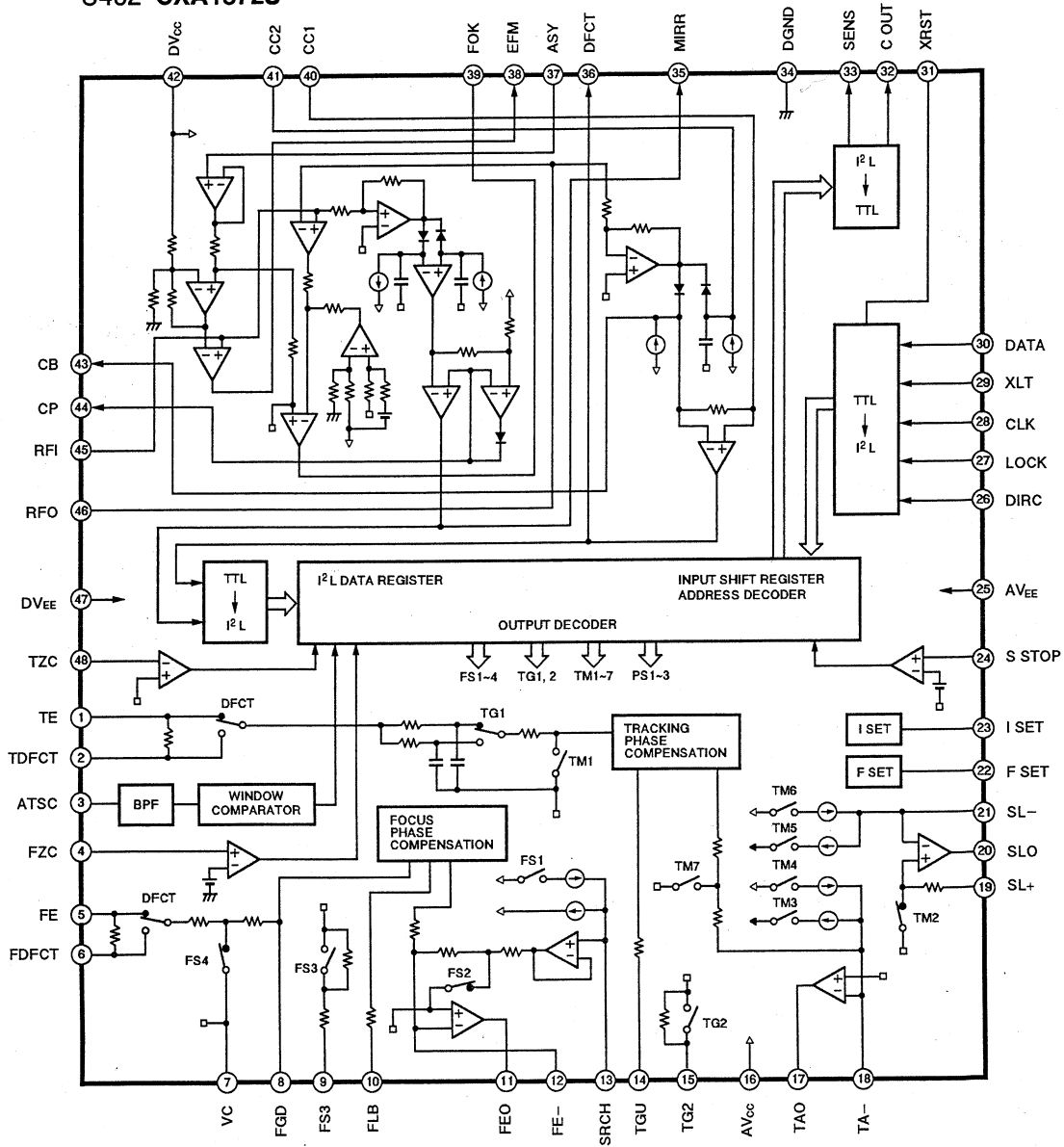
INCLUDED ACCESSORIES

REF. NO.	PARTS NO.	DESCRIPTION	REMARKS
	*D00003900A	OWNER'S MANUAL, JAPANESE [J]	
	*D00004000A	OWNER'S MANUAL, 6-LANG [EXCEPT J]	
	*E00003000A	REMOTE CONTROL UNIT, RC-539 [J, GE]	VRDS-T1 (N)
	*E00003100A	REMOTE CONTROL UNIT, RC-540 [US, C, GE, E, UK]	VRDS-T1 (B)
	5347007000	BATTERY, SUM-3	

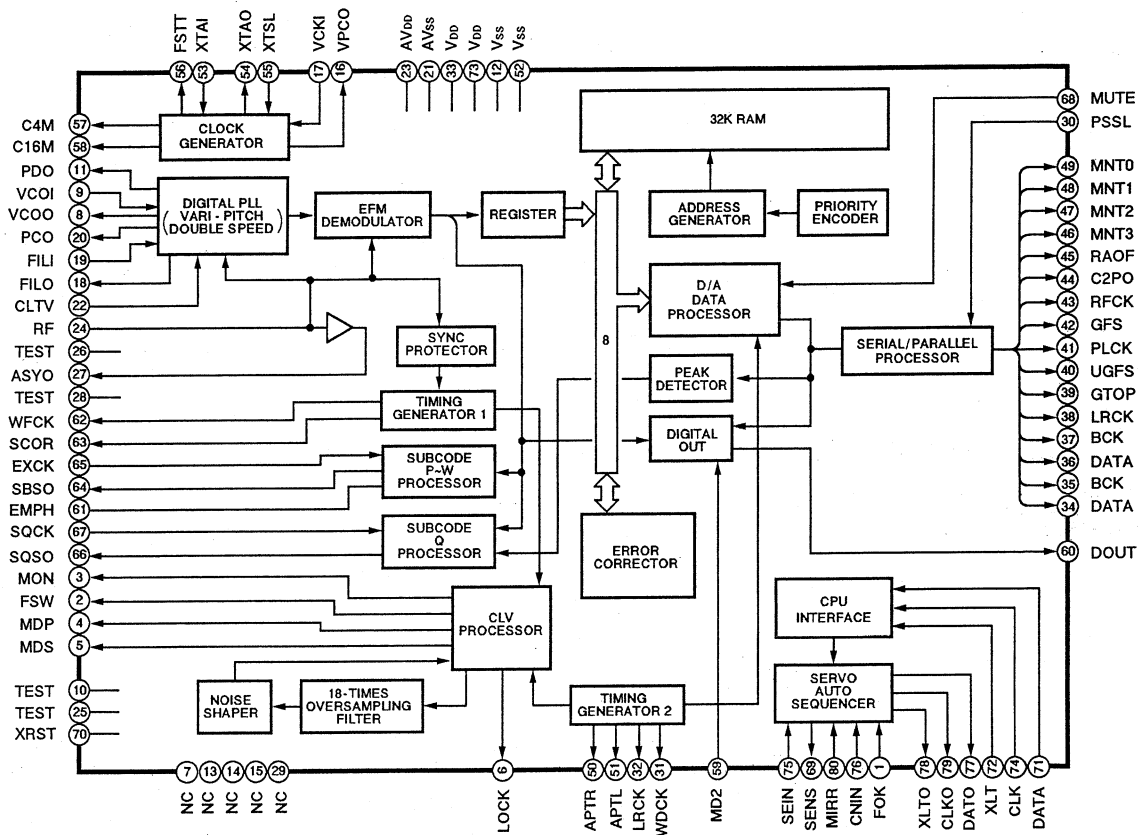
7 IC BLOCK DIAGRAMS

ICブロックダイアグラム

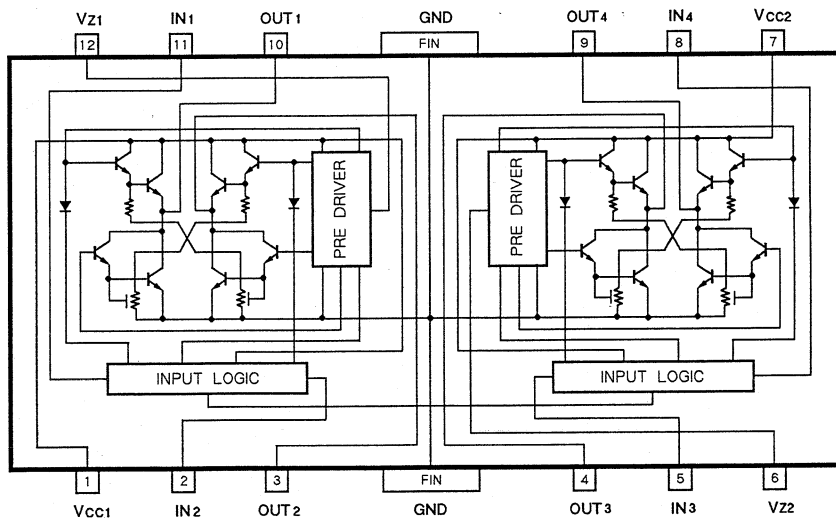
U402 CXA1372S



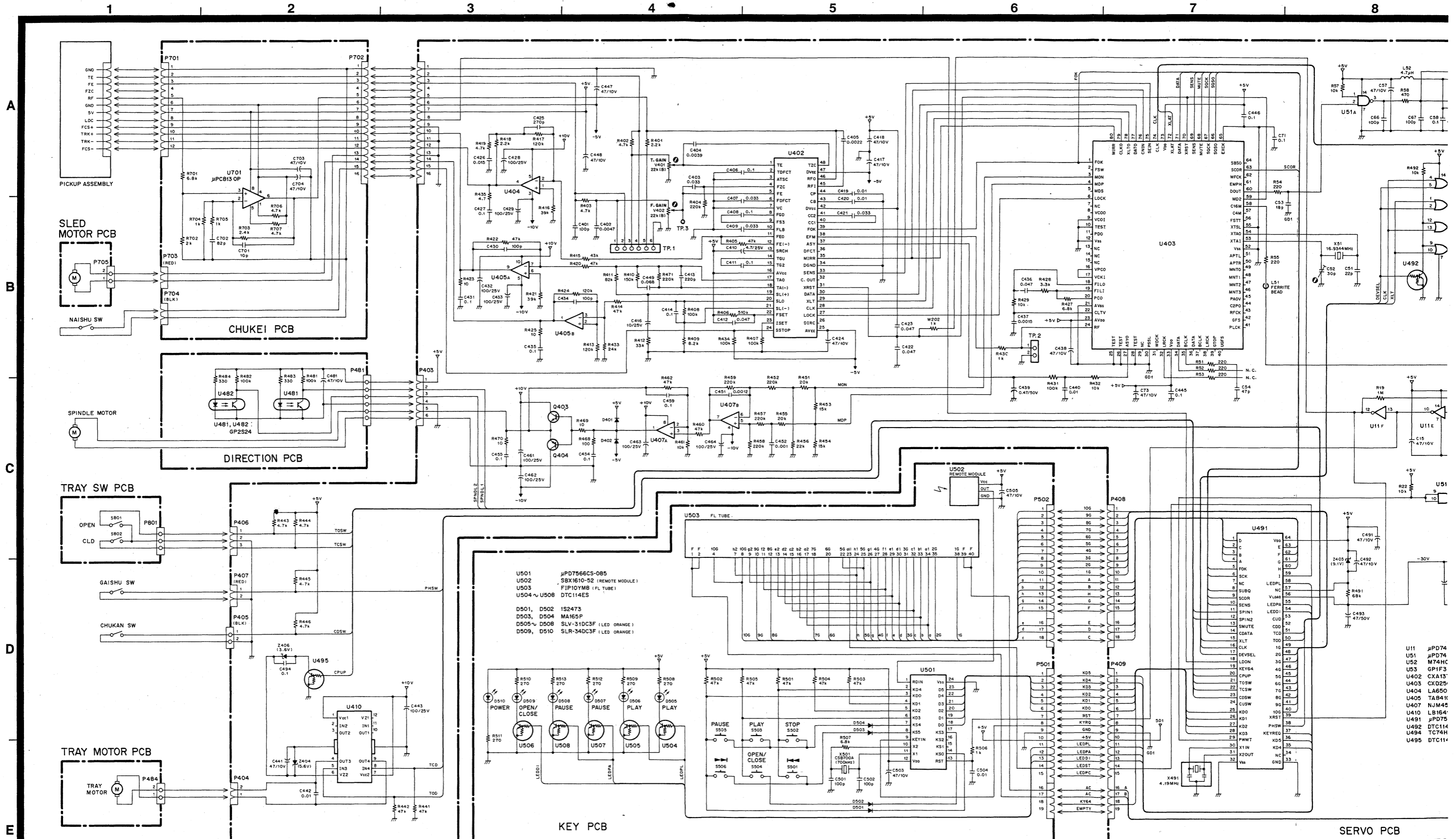
U403 CXD2500AQ



U410 LB1649



TEAC SCHEMATIC DIAGRAM VRDS-T1

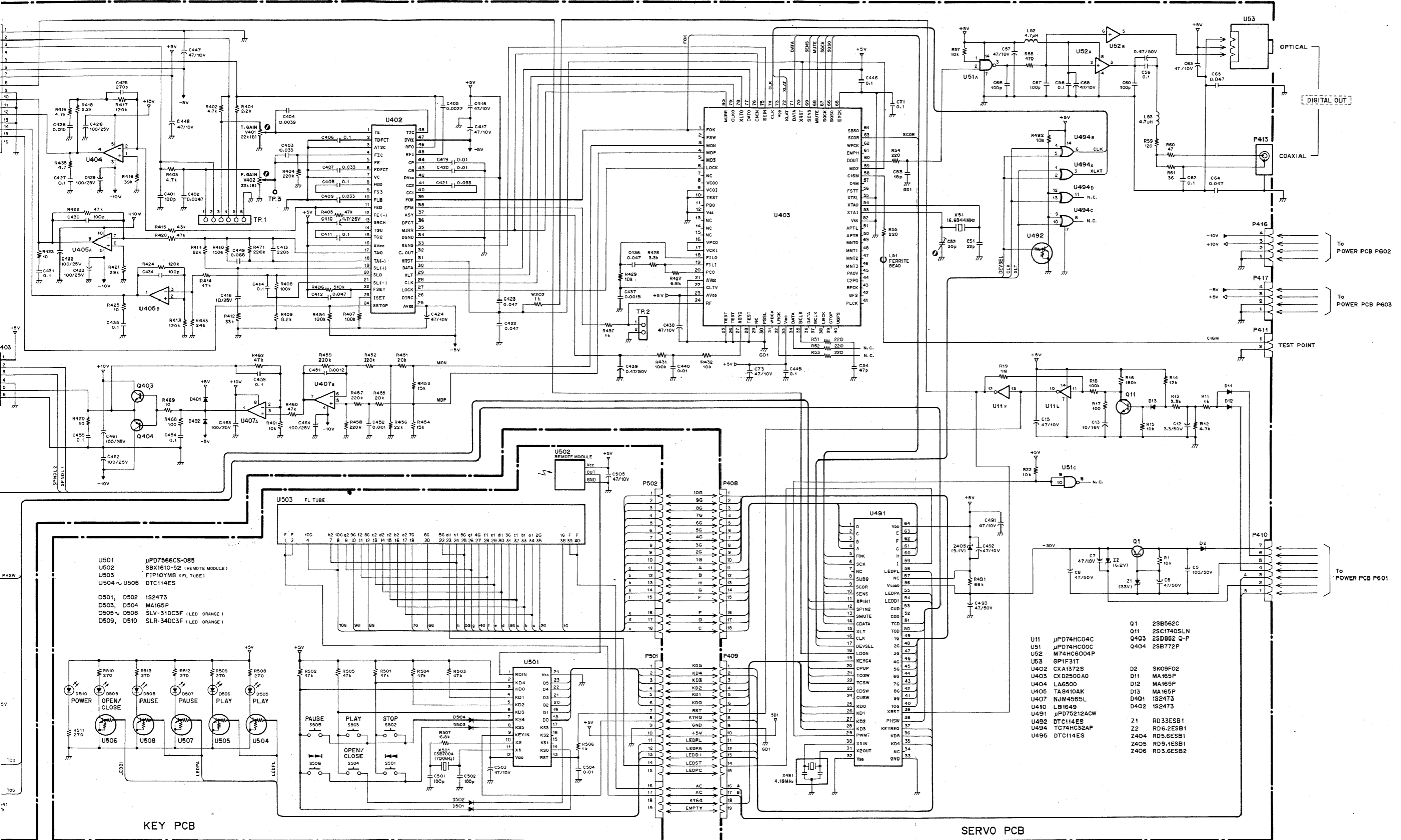


INSTRUCTIONS FOR SERVICE PERSONNEL
BEFORE RETURNING APPLIANCE TO THE CUSTOMER, MAKE LEAKAGE-CURRENT OR RESISTANCE MEASUREMENTS TO DETERMINE THAT EXPOSED PARTS ARE ACCEPTABLY INSULATED FROM THE SUPPLY CIRCUIT.

NOTES:
 1. Resistor values are in ohms (k=kilo-ohms, M=megohms).
 2. Capacitor values are in microfarads (p=picofarads).
 3. Δ Parts marked with this sign are safety critical components. They must always be replaced with identical components-refer to the appropriate parts list and ensure exact replacement.

注意
 1. 抵抗の単位は Ω (k=k Ω , M=M Ω) です。
 2. コンデンサの単位は μF (p=pF) です。
 3. Δ マークのある部品は安全規格重要部品です。交換するときは必ずティアック指定の部品を使用してください。

- U11 μ PD74
- U51 μ PD74
- U52 W74HC
- U53 GP1F3
- U402 CXA13
- U403 CXD25
- U404 LA650
- U405 TA94K
- U407 NJM45
- U410 LB164
- U491 μ PD75
- U492 DTC114
- U494 TC74H
- U495 DTC11



NOTES:
 1. Resistor values are in ohms (k=kilo-ohms, M=megohms).
 2. Capacitor values are in microfarads (p=picofarads).
 3. Δ Parts marked with this sign are safety critical components. They must always be replaced with identical components-refer to the appropriate parts list and ensure exact replacement.

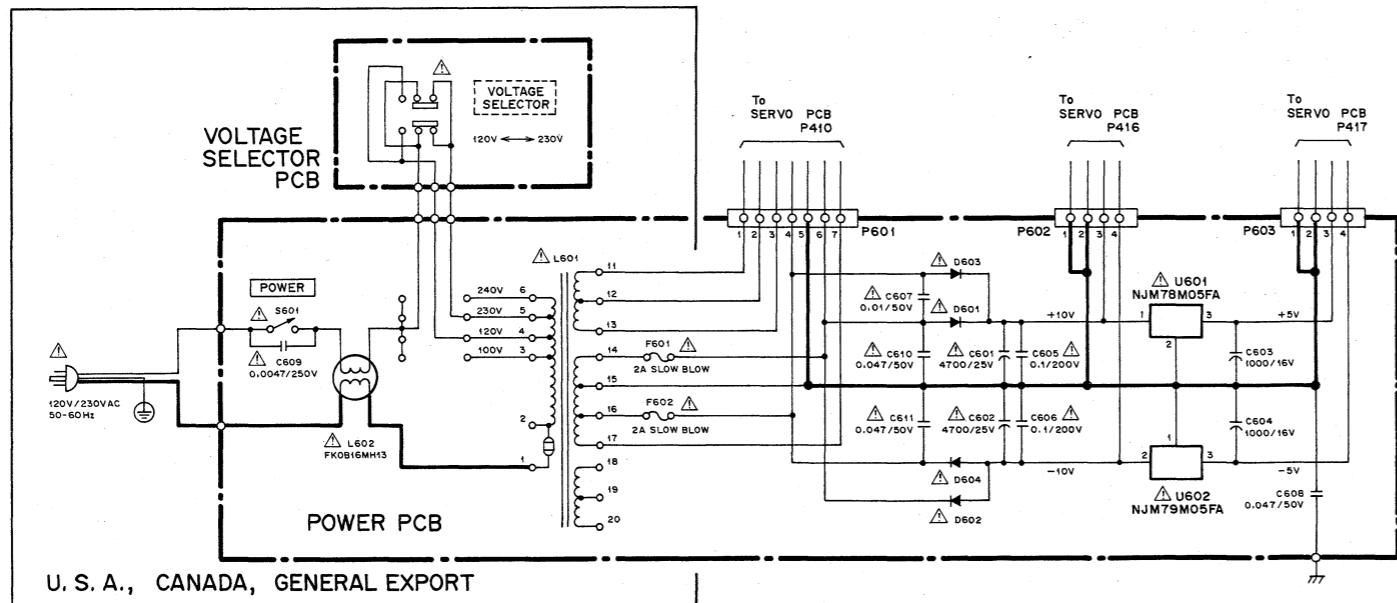
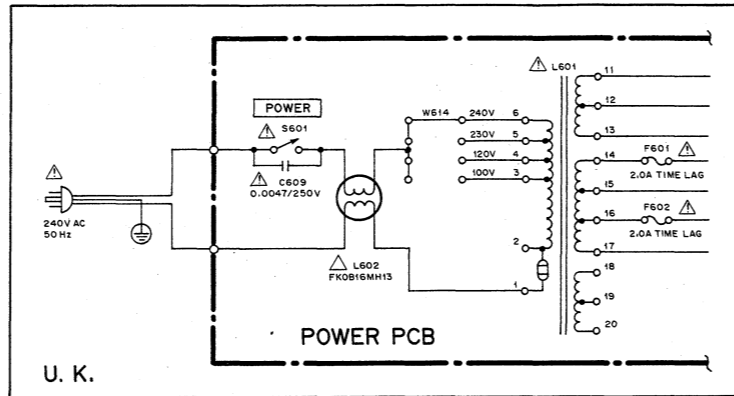
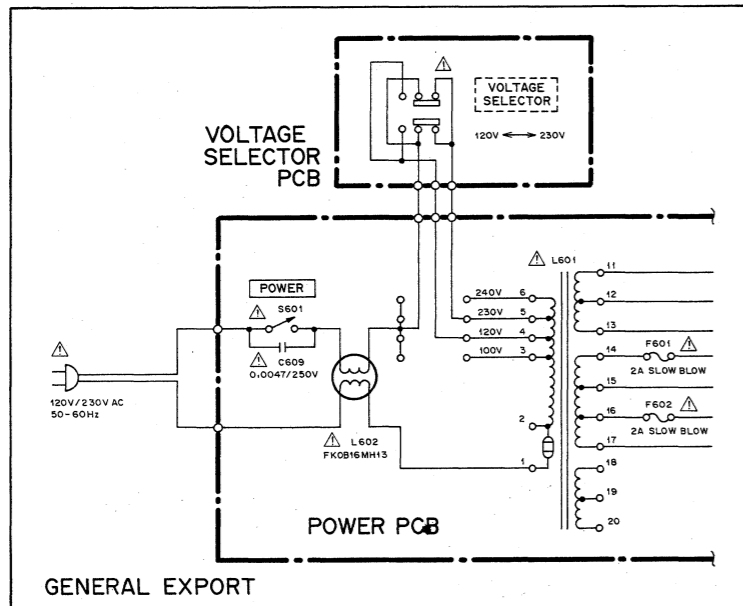
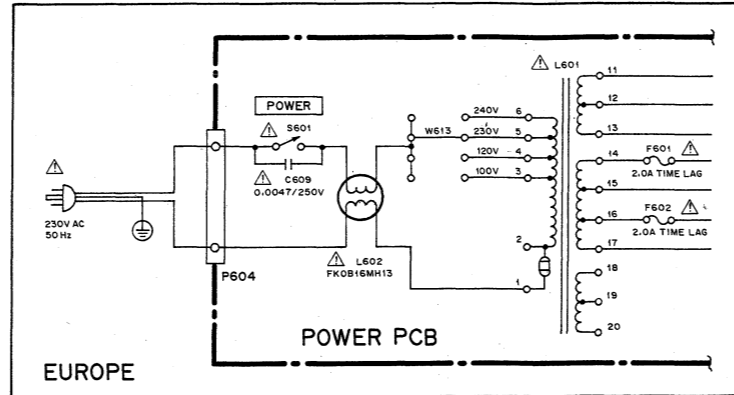
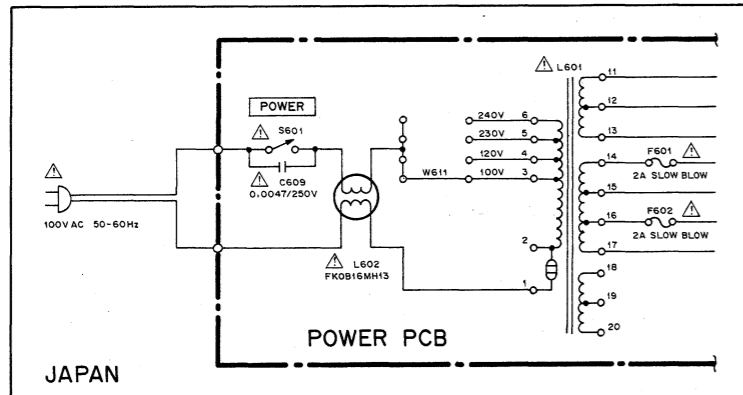
注意
 1. 抵抗の単位は Ω (k=k Ω , M=M Ω) です。
 2. コンデンサの単位は μF (p=pF) です。
 3. Δ マークのある部品は安全規格重要部品です。交換するときは必ずディテック指定の部品を使用してください。

- | | | | |
|------|------------------|------|------------|
| U11 | μ PD74HC04C | Q1 | 2SB562C |
| U51 | μ PD74HC00C | Q11 | 2SC1740SLN |
| U52 | M74HC6004P | Q403 | 2SD882 Q-P |
| U53 | GP1F31T | Q404 | 2SB772P |
| U402 | CXA1372S | D2 | SK09F02 |
| U403 | CX2500AQ | D11 | MA165P |
| U404 | LA6500 | D12 | MA165P |
| U405 | TAB410AK | D13 | MA165P |
| U407 | NJM4555L | D401 | 1S2473 |
| U410 | LB1649 | D402 | 1S2473 |
| U491 | μ PD75212ACW | Z1 | RD33ESB1 |
| U492 | DT114ES | Z2 | RD6.2ESB1 |
| U494 | TC74HC32AP | Z404 | RD5.6ESB1 |
| U495 | DTC114ES | Z405 | RD9.1ESB1 |
| | | Z406 | RD3.6ESB2 |

TEAC SCHEMATIC DIAGRAM VRDS-T1

1 2 3 4 5 6 7 8

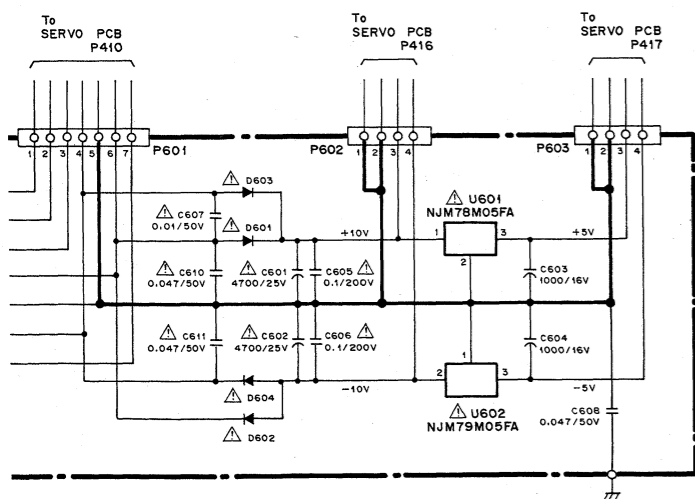
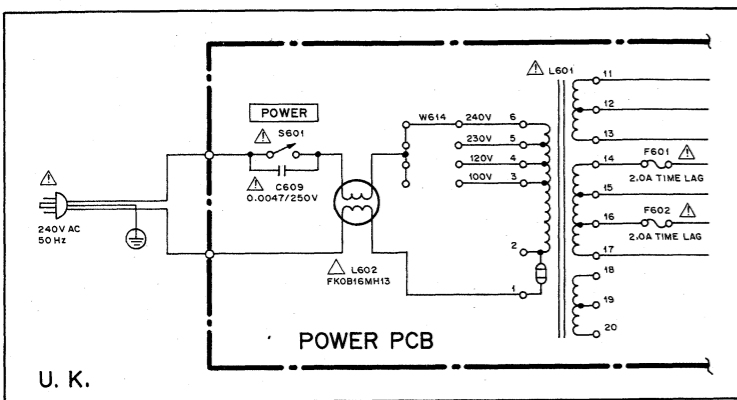
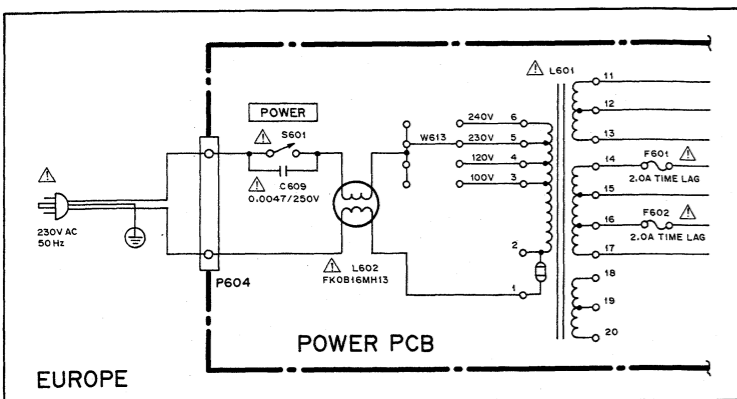
A
B
C
D
E



INSTRUCTIONS FOR SERVICE PERSONNEL
BEFORE RETURNING APPLIANCE TO THE CUSTOMER, MAKE LEAKAGE-CURRENT OR RESISTANCE MEASUREMENTS TO DETERMINE THAT EXPOSED PARTS ARE ACCEPTABLY INSULATED FROM THE SUPPLY CIRCUIT.

- NOTES:**
1. Resistor values are in ohms (k=kilo-ohms, M=megohms).
 2. Capacitor values are in microfarads (p=picofarads).
 3. Δ Parts marked with this sign are safety critical components. They must always be replaced with identical components-refer to the appropriate parts list and ensure exact replacement.

- 注意**
1. 抵抗の単位は Ω (k=k Ω , M=M Ω) です。
 2. コンデンサの単位は μF (p=pF) です。
 3. Δ マークのある部品は安全規格重要部品です。交換するときは必ずディテック指定の部品を使用してください。



NOTES:

1. Resistor values are in ohms (k=kilo-ohms, M=megohms).
2. Capacitor values are in microfarads (p=picofarads).
3. Δ Parts marked with this sign are safety critical components. They must always be replaced with identical components-refer to the appropriate parts list and ensure exact replacement.

注意

1. 抵抗の単位は Ω (k=k Ω , M=M Ω) です。
2. コンデンサの単位は μF (p=pF) です。
3. Δ マークのある部品は安全規格重要部品です。交換するときは必ずディテック指定の部品を使用してください。

VRDS-T1
CD TRANSPORT
 1st Issue; August 1994